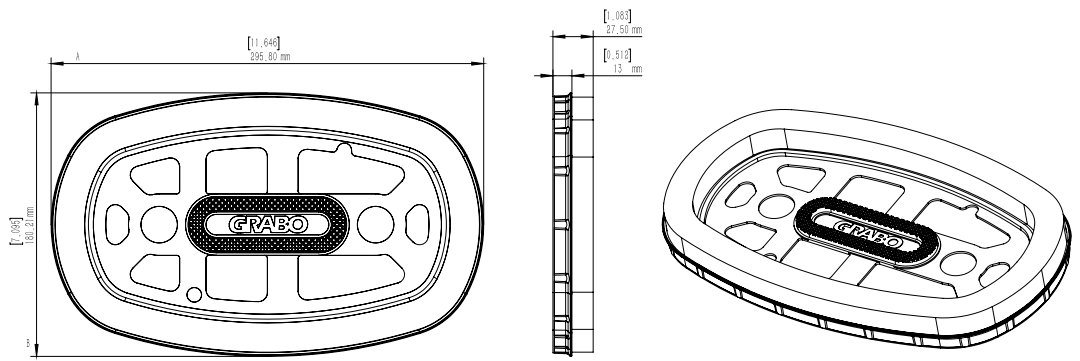


## ROCK SEAL HEAVY LIFTING MADE EASY



### Specifications:

Material	Laminated SBR rubber foam sponge
Color	Black
L x W x H	11.5 x 6.9 x 1.12" ( 293 x 175 x 28.5 mm)
Weight	0.6 Lbs ( 0.23 kg )
Working temperature	32 F ~ 140 F (0 C ~ 60 C)
Recommended Storage Temperature	Room temperature
Applicable Surface Type	Peak/valley heights less than 0.4" (10 mm)
Features	Patented technology design

### Lifting Capacity:

Material	Glass	Metal	Wood	Rough Slate	Rough Concrete
Direction					
Perpendicular Hold 	375Lbs ( 170 kg )	308Lbs ( 140 kg )	220Lbs ( 100 kg )	176Lbs ( 80 kg )	176Lbs ( 80 kg )
Parallel Hold 	265Lbs ( 120 kg )	198Lbs ( 90 kg )	143Lbs ( 65 kg )	176Lbs ( 80 kg )	176Lbs ( 80 kg )

#### GRABO headquarters:

Eastern Commerce Center  
6000 S Eastern Ave  
Unit 9E  
Las Vegas, Nevada, 89119

Info@GRABO.com

www.GRABO.com

#### Main Office:

+1 (844) 430-0510

#### Help & Warranty:

+1 (702) 718-2433

By Nemo Power Tools -  
[www.GRABO.com](http://www.GRABO.com)

